



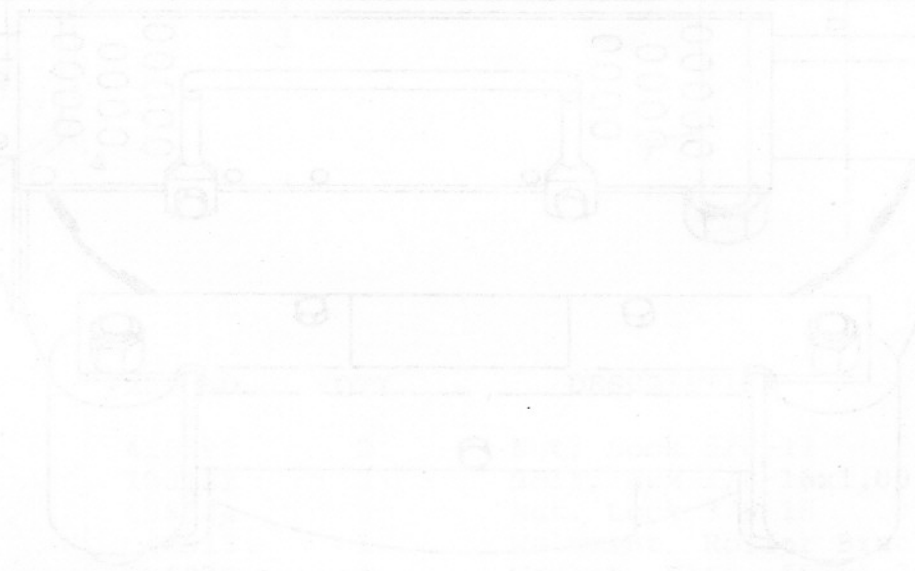
Installation Instructions

1. Fasten the upper rollers to the roller bracket weldment with the 3/8-16x1.50 hex bolts, flat washers and 5/8-11 lock nuts as shown in the illustration.

2. On the 32" power, position the roller bracket weldment on the deck, parallel with the mower height adjustment bracket and so that there is equal clearance between the deck and both rollers. Using the bracket as a template, drill two 3/8" diameter holes in the top of the mower deck and one in the side of the mower deck. Fasten the weldment to the deck with the three 3/8-16 hex bolts and lock nuts. See Figure 1.

3. On the 58" power, align the two slots in the roller bracket weldment with the two holes in the top of the mower deck and install with the two 3/8-16 hex bolts and lock nuts. Using the bracket as a template, drill two 3/8" diameter holes in the side of the mower deck. Install the two 3/8-16 hex bolts and lock nuts.

SIDE ROLLER KIT



SECTION 1

Installation Instructions

1. Fasten the gage rollers to the roller bracket weldment with the 5/8-11x5.50 hex bolts, flat washers and 5/8-11 lock nuts as shown in the illustration.
2. On the 32" mower, position the roller bracket weldment on the deck, parallel with the mower height adjustment bracket and so that there is equal clearance between the deck and both rollers. Using the bracket as a template, drill two 3/8" diameter holes in the top of the mower deck and one in the side of the mower deck. Fasten the weldment to the deck with the three 3/8-16 hex bolts and lock nuts. See Figure 1.
3. On the 60" mower, align the two slots in the roller bracket weldment with the two holes in the top of the mower deck and retain with the two 3/8-16 hex bolts and lock nuts. Using the bracket as a template, drill two 5/16" diameter holes in the side of the mower deck. Install the two 5/16-18 hex bolts and lock nuts.

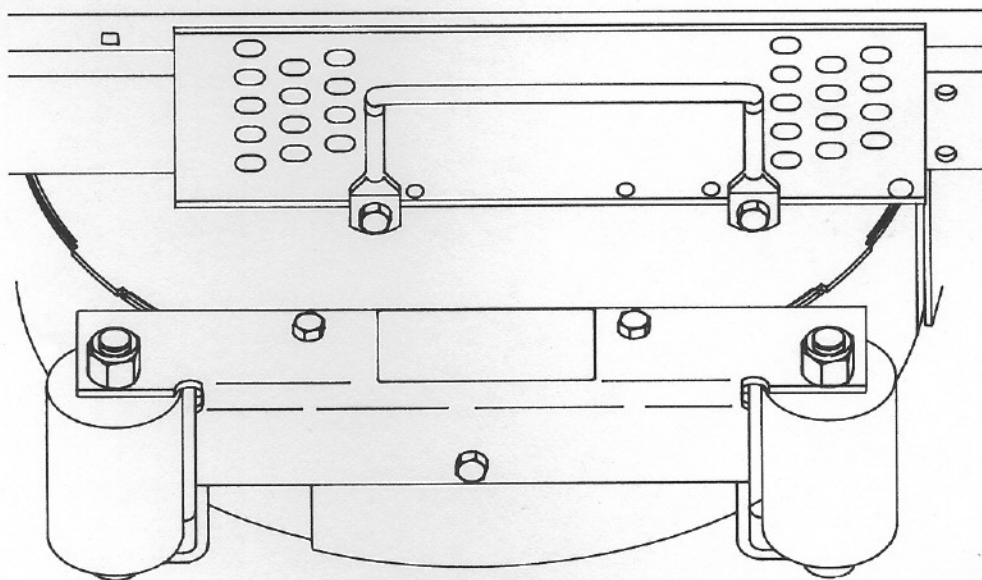
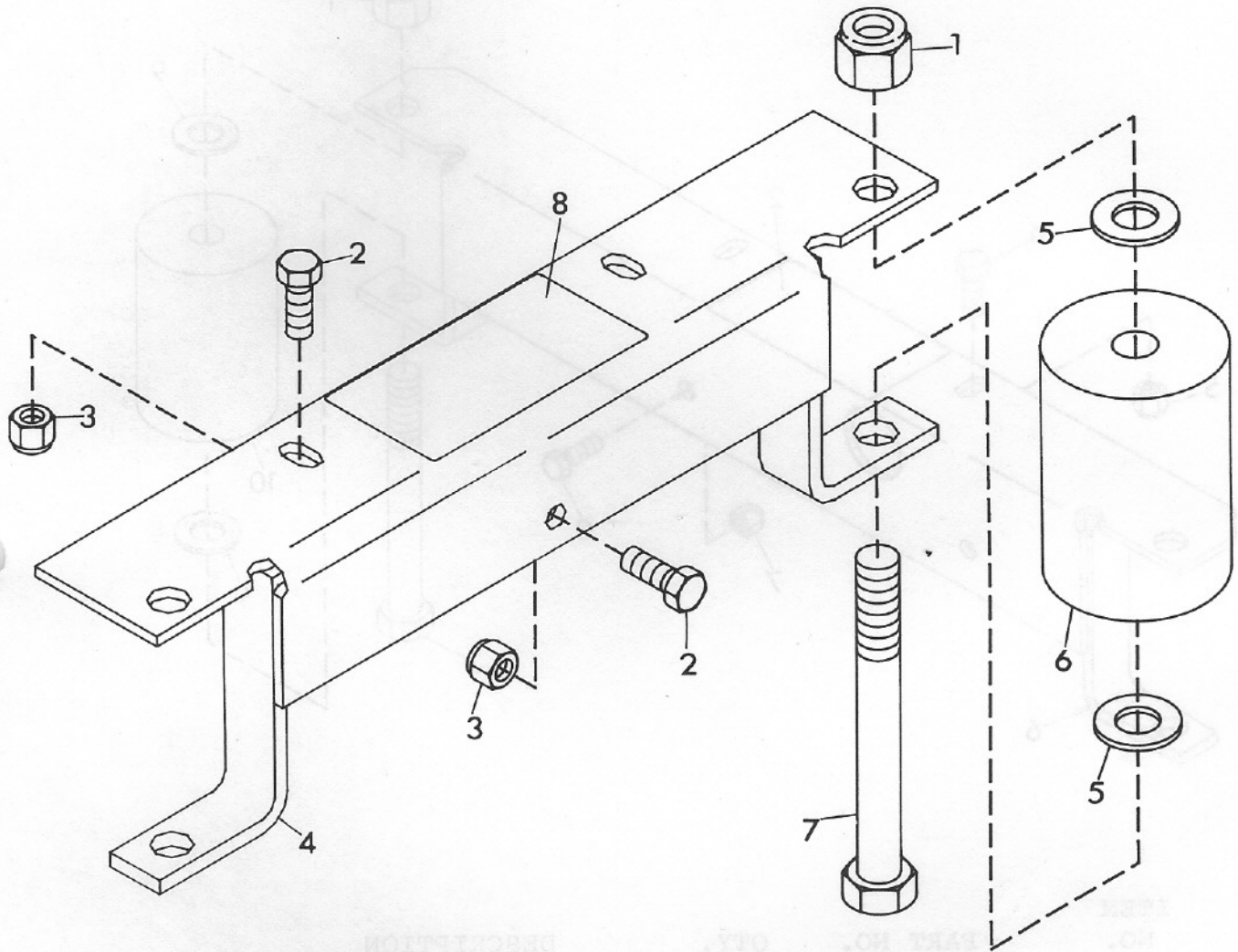


FIGURE 1

SECTION 2

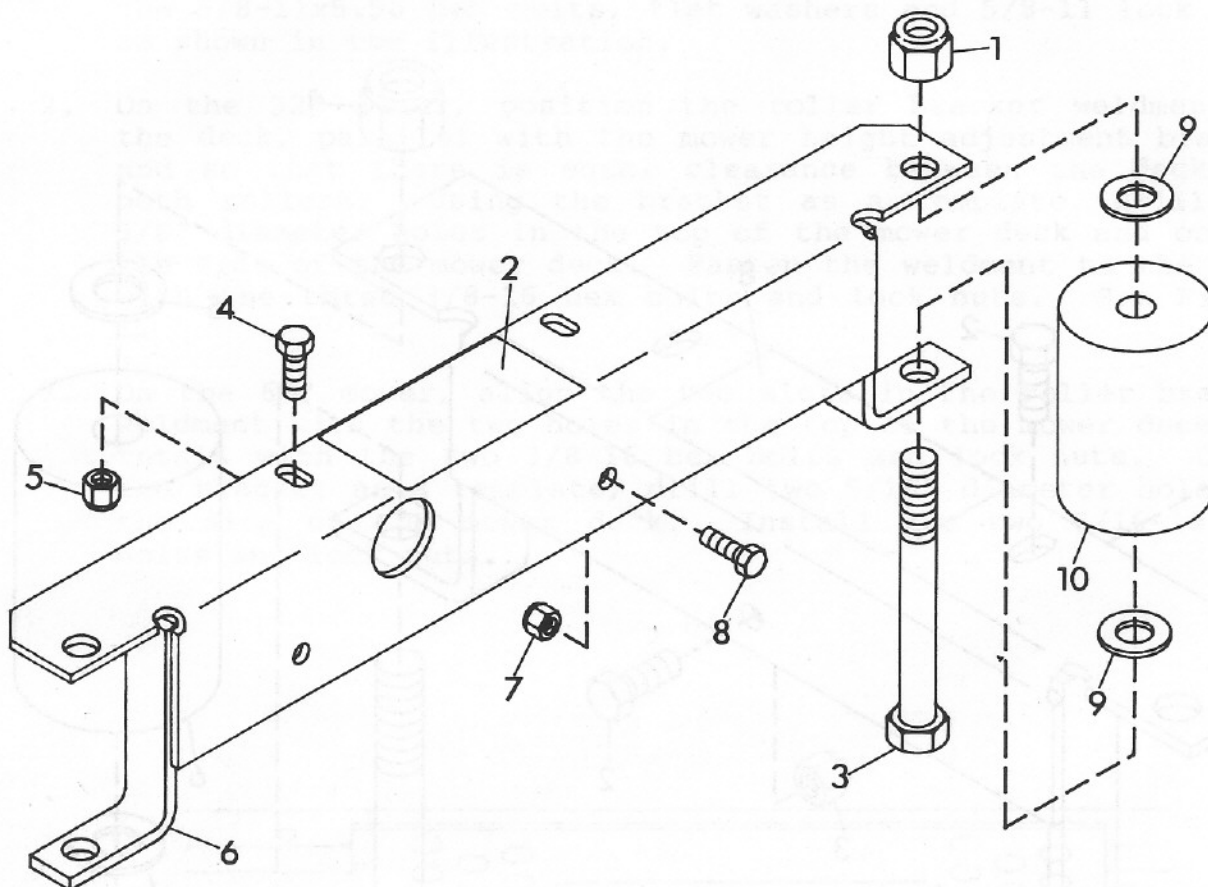
Illustrated Parts and Parts List

32" MOWER



ITEM NO.	PART NO.	QTY.	DESCRIPTION
1	418692	2	Nut, Lock 5/8-11
2	180122	3	Bolt, Hex 3/8-16x1.00
3	456004	3	Nut, Lock 3/8-16
4	44513	1	Weldment, Roller Bracket
5	421879	4	Washer, Flat .656x1.250x.100
6	15351	2	Roller, Gage
7	273312	2	Bolt, Hex 5/8-11x5.50
8	33927	1	Decal, Danger Foot

60" MOWER



ITEM NO.	PART NO.	QTY.	DESCRIPTION
1	418692	2	Nut, Lock 5/8-11
2	33927	1	Decal, Danger Foot
3	273312	2	Bolt, Hex 5/8-11x5.50
4	180122	2	Bolt, Hex 3/8-16x1.00
5	456004	2	Nut, Lock 3/8-16
6	44413	1	Weldment, Roller Bracket
7	419455	2	Nut, Lock 5/16-18
8	180079	2	Bolt, Hex 5/16-18x1.00
9	421879	4	Washer, Lock .656x1.250x.100
10	15351	2	Roller, Gage